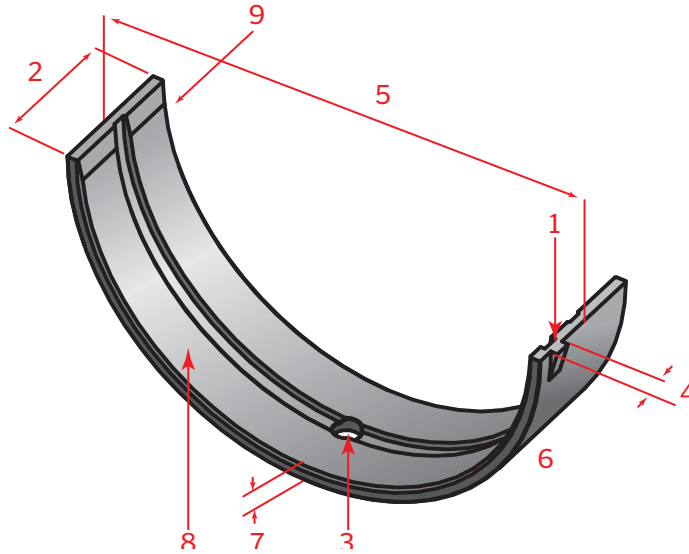


Bearing Terminology

General

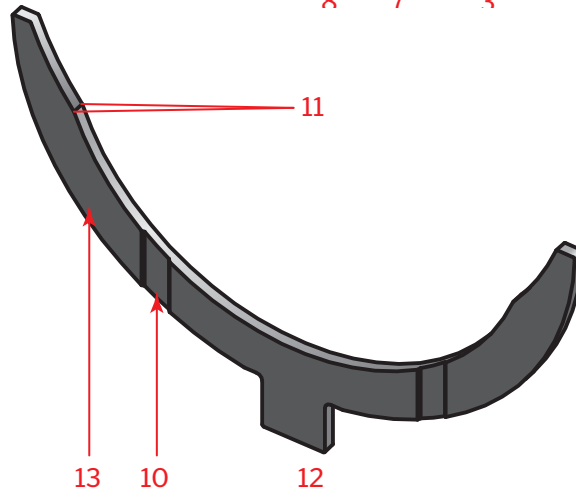
A. Straight Shell Bearing

- 1. Locating lug
- 2. Bearing length
- 3. Oil hole
- 4. Width of locating lug
- 5. Free spread
- 6. Bearing back
- 7. Bearing wall thickness
- 8. Bearing surface
- 9. Crush relief



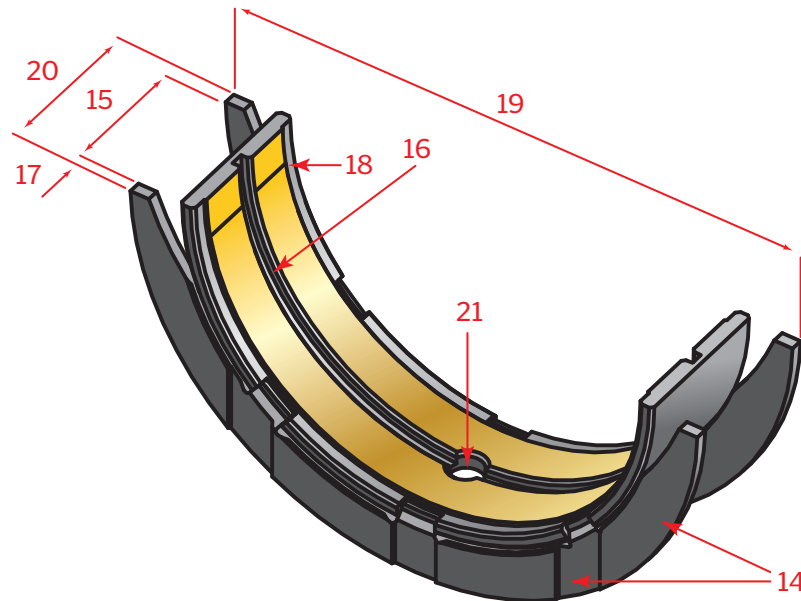
B. Thrust Washer

- 10. Oil groove
- 11. Wall thickness
- 12. Locking lug
- 13. Thrust surface



C. Flange Bearing

- 14. Thrust surface relief
- 15. Distance between flanges
- 16. Oil groove
- 17. Flange thickness
- 18. Crush relief
- 19. Flange diameter
- 20. Flange bearing length
- 21. Oil hole



XX